

DH-SD6582/6582A-HS

2Megapixel 1080P HD-SDI PTZ Dome Camera



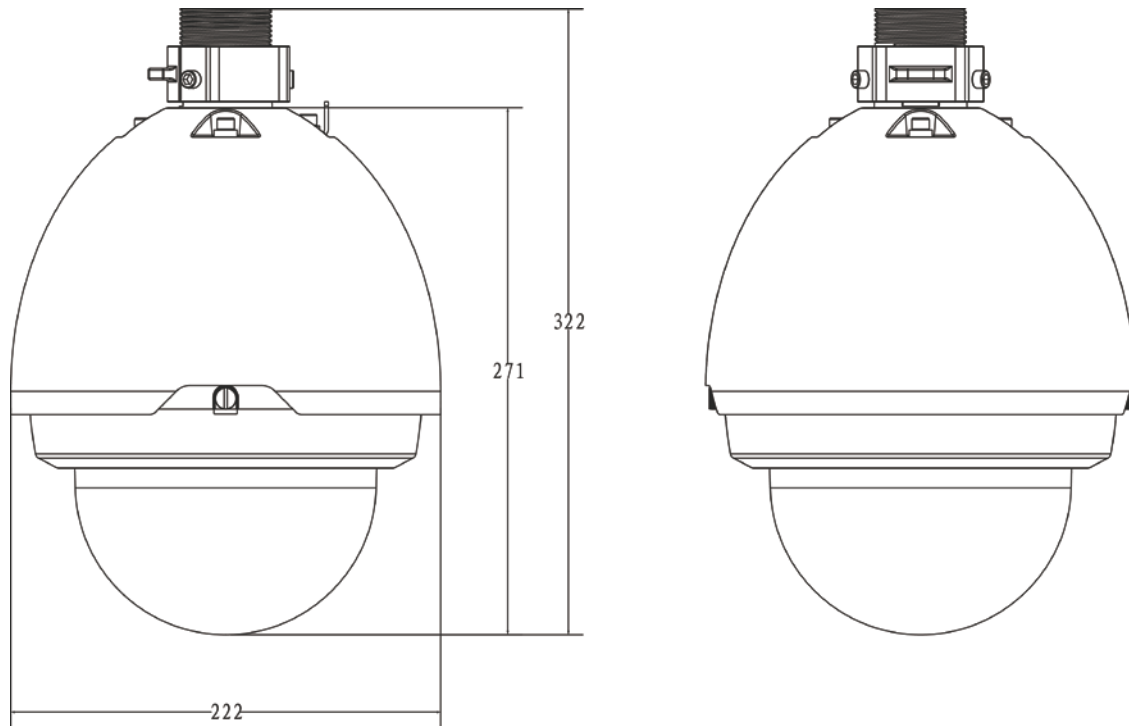
DH-SD6582/6582A-HS

Features

- > 1/3" 2.0 Megapixel progressive scan Exmor CMOS
- > 4.7mm ~ 94.0mm(20x)optical zoom
- > Standard HD-SDI high definition digital interface (SMPT274/292)
- > 25/30fps@1080p
- > WDR(DWDR), Day/Night(ICR), DNR (2D&3D),Auto iris, Auto focus, AWB, AGC,BLC
- > Max 400°/s pan speed, 360° endless pan rotation
- > Up to 255 presets, 5 auto scan, 8 tour, 5 pattern
- > Built-in 7/2 alarm in/out
- > Support intelligent 3D positioning with DH-SD protocol
- > IP67, easy installation

DH-SD6582/6582A-HS

Dimensions (mm)



DH-SD6582/6582A-HS

Technical Specifications

Model	HD-SD6582-HS	HD-SD6582A-HS
Camera		
Image Sensor	1/3" Exmor CMOS	
Effective Pixels	1944(H) x 1092(V), 2 Megapixels	
Scanning System	Progressive	
Electronic Shutter Speed	1/1 ~ 1/10,000s	1/1 ~ 1/30,000s
Min. Illumination	Color: 0.5 lux@F1.6 B/W: 0.095 lux@F1.6	Color: 0.05Lux@F1.6 B/W: 0.005Lux@F1.6
S/N Ratio	More than 50dB	
Video Output	BNC(1.0Vp-p/75Ω), PAL / NTSC	
Resolution	1080p(25/30fps), 1080i(50/60fps), 720p(25/30/50/60fps)	1080p(25/30fps), 720p(25/30fps)
HD-SDI Video Output	1ch HD-SDI high -definition video (SMPTE 292M standard)	
Camera Features		
Day/Night	Auto(ICR) / Color / B/W	
Backlight Compensation	BLC / HLC / WDR	BLC / HLC / DWDR (Digital WDR)
White Balance	Auto, ATW, Indoor, Outdoor, Manual	
Gain Control	Auto / Manual	
Noise Reduction	2D / 3D	
Privacy Masking	Up to 24 areas	
Digital Zoom	12x	16x
Lens		
Focal Length	4.7mm ~ 94.0mm(20x Optical zoom)	
Max Aperture	F1.6 ~ F3.5	
Focus Control	Auto / Manual	
Angle of View	H: 58.2° ~ 2.9°	H: 55.4° ~ 2.9°
Close Focus Distance	10mm ~ 800mm	10mm ~ 1000mm
PTZ		
Pan/Tilt Range	Pan: 0° ~ 360° endless; Tilt: -2° ~ 90°, auto flip 180°	
Manual Control Speed	Pan: 0.1° ~ 300°/s; Tilt: 0.1° ~ 250°/s	
Preset Speed	Pan: 400°/s; Tilt: 300°/s	
Preset	80(DH-SD), 255(Pelco-P/D)	
PTZ Mode	5 Pattern, 8 Tour, Auto Pan, Auto Scan	
Speed Setup	Human-oriented focal length/ speed adaptation	
Power up Action	Auto restore to previous PTZ and lens status after power failure	
Idle Motion	Activate Preset/Pan/Scan/Tour/Pattern if there is no command in the specified period	
Time Task	Auto activation of Preset/Pan/Scan/Tour/Pattern by preset-time	
Protocol	DH-SD, Pelco-P/D (Auto recognition)	
Auxiliary Interface		

DH-SD6582/6582A-HS

RS485	1 port
Alarm	7/2 channel In/Out
General	
Power Supply	AC 24V/3A ($\pm 10\%$)
Power Consumption	12W, 25W(Heater on)
Working Environment	-40°C ~ 60°C / Less than 90% RH
Protection Level	IP67, IK10 optional
Dimensions	$\Phi 222(\text{mm}) \times 322(\text{mm})$
Weight	5.0kg

Dahua Technology Co., Ltd.

1187 BinAn Road, Binjiang District, Hangzhou, China

Tel: +86-571-87688883

Fax: +86-571-87688815

Email: overseas@dahuatech.com

www.dahuatech.com

*Design and specifications are subject to change without notice.

© 2012 Dahua Technology Co., Ltd.